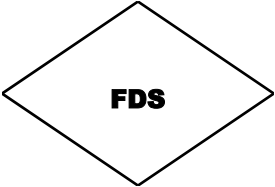


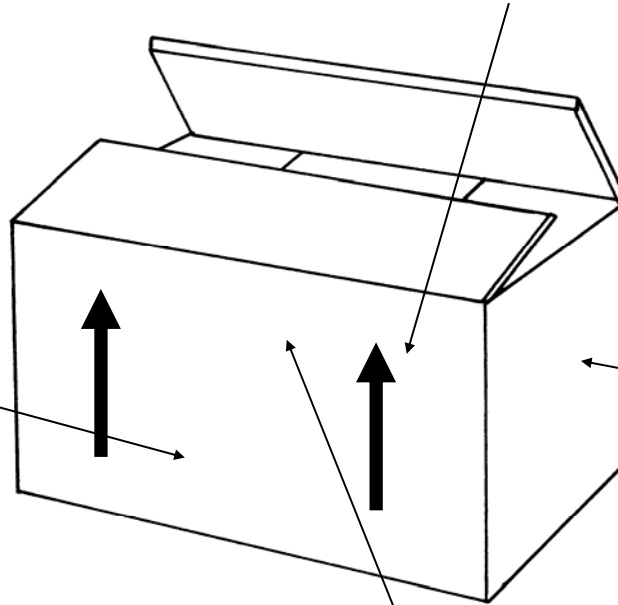
IMPORT SHIPPABLE INNER CARTON MARKINGS/SHIPPING MARKS
(Applicable only if Buyer requires shippable inner cartons)

Family Dollar

Cartons containing liquids or fragile items must include arrows indicating proper carton placement and should be marked "Fragile".

TWO LONGER SIDES (WIDE)


STYLE NO. _____
DEPT. NO. _____
MADE IN : _____



TWO SHORTER SIDES (END)

SELLING UNIT UPC NO. _____
FDS SKU NO. _____
DESCRIPTION _____
INNER-PACK QTY _____ PCS
COLOR _____

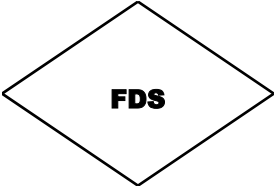
Cartons for seasonal merchandise should also be marked according to the season, i.e., Christmas merchandise should be marked "**CHRISTMAS MERCHANDISE RUSH TO SALES FLOOR**"

***Slight adjustments to the placement of the above markings may be necessary to fit all required data on smaller sized cartons. Contact the Import Department for change authorization.**

IMPORT MASTER CARTON MARKINGS/SHIPPING MARKS

Family Dollar

TWO LONGER SIDES (WIDE)


FDS

STYLE NO. _____

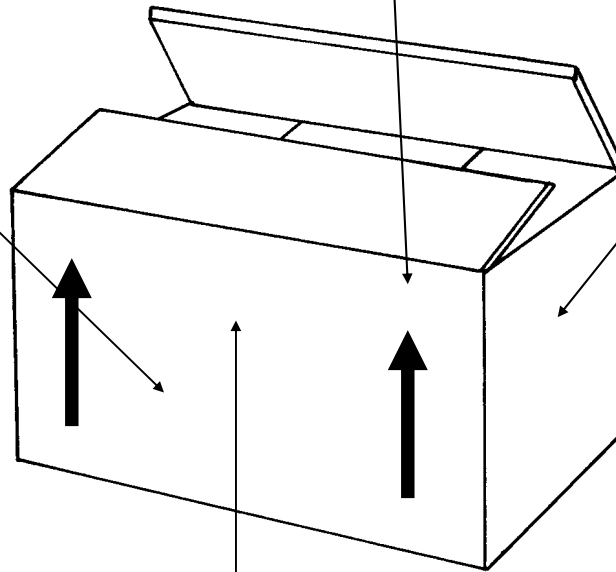
DEPT. NO. _____

MADE IN _____

DC DESTINATION _____

CARTON NO. _____ OF _____

Cartons containing liquids or fragile items must include arrows indicating proper carton placement and should be marked "**Fragile**".



TWO SHORTER SIDES (END)

SELLING UNIT UPC NO.: _____

FDS P.O. NO. _____

FDS SKU NO. _____

DESCRIPTION _____

TOTAL MASTER CARTON QTY.
_____ PCS

INNER-PACK QTY _____ PCS

TOTAL INNER-PACKS _____

NET WT _____ LBS

GROSS WT _____ LBS

MEASURE _____ IN

CUBE _____ CFT

COLOR _____

Cartons for seasonal merchandise should also be marked according to the season, i.e., Christmas merchandise should be marked "**CHRISTMAS MERCHANDISE RUSH TO SALES FLOOR**"

*Slight adjustments to the placement of the above markings may be necessary to fit all required data on smaller sized cartons and master cartons designed to be the selling carton. Contact the Import Department for change authorization.